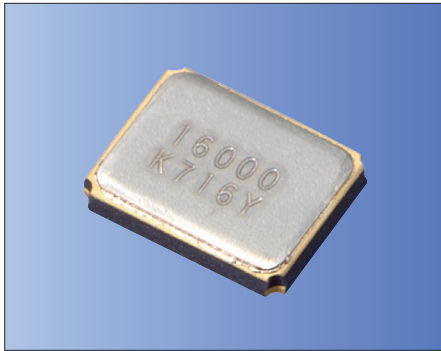




3.2×2.5mm for Consumer Products/ Mobile Communications



RoHS Compliant

Features

- Crystal unit for Consumer Products
- Miniature and low profile (3.2×2.5×0.55mm)
- Ceramic package
- Reflow compatible

Applications

- Digital Electronics
- Consumer Products
- Mobile Communications, Bluetooth®, Wireless LAN

* Bluetooth® Trademarks are owned by Bluetooth SIG, Inc.

How to Order

CX3225SB 12000 D0 G □ J CC
① ② ③ ④ ⑤ ⑥ ⑦

①Series	②Frequency
③Load Capacitance	④Frequency Tolerance
D0	8 pF
G	±15×10 ⁻⁶
⑤Operating Temp. Range	⑥Frequency Temp. Stability
EJ	-10 to +70°C
LJ	-30 to +85°C
	±15×10 ⁻⁶

⑦Individual Specification (STD Specification is "CC".)

Packaging (Tape & Reel 3000 pcs./ reel)

Specifications

Item	Symbol	Specification	Unit	Remarks
Frequency Range	f _{nom}	12000 to 54000	kHz	
Overtone Order	OT	Fundamental	—	
Load Capacitance	CL	8	pF	Please contact us for other CL requirements.
Frequency Tolerance	f _{tol}	±15	×10 ⁻⁶	25°C±3°C
Motional Series Resistance	R1	Table 1	ohm	
Drive Level	DL	Table 2	μW	
Operating Temp. Range	T _{use}	-10 to +70	-30 to +85	°C
Storage Temp. Range	T _{stg}	-40 to +85	°C	
Frequency Temp. Characteristics	f _{tem}	±15	×10 ⁻⁶	Freq. deviation from the value at 25°C

Please contact us for other specifications.

Crystal Units

Table 1 Motional Series Resistance

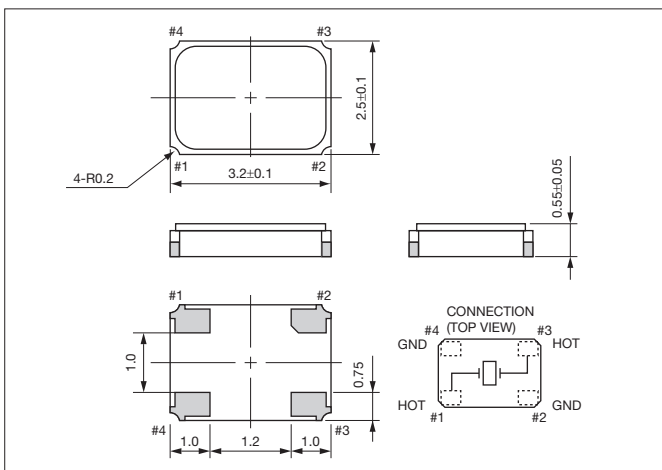
Frequency Range	Motional Series Resistance
12000≤f _{nom} <13000kHz	150 Ω max.
13000≤f _{nom} <20000kHz	80 Ω max.
20000≤f _{nom} ≤54000kHz	50 Ω max.

Table 2 Level of Drive

Frequency Range	Level of Drive
12000≤f _{nom} ≤54000kHz	10μW (100μW max.)

Dimensions

(Unit: mm)



Recommended Land Pattern

(Unit: mm)

